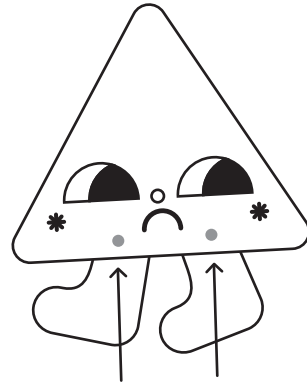
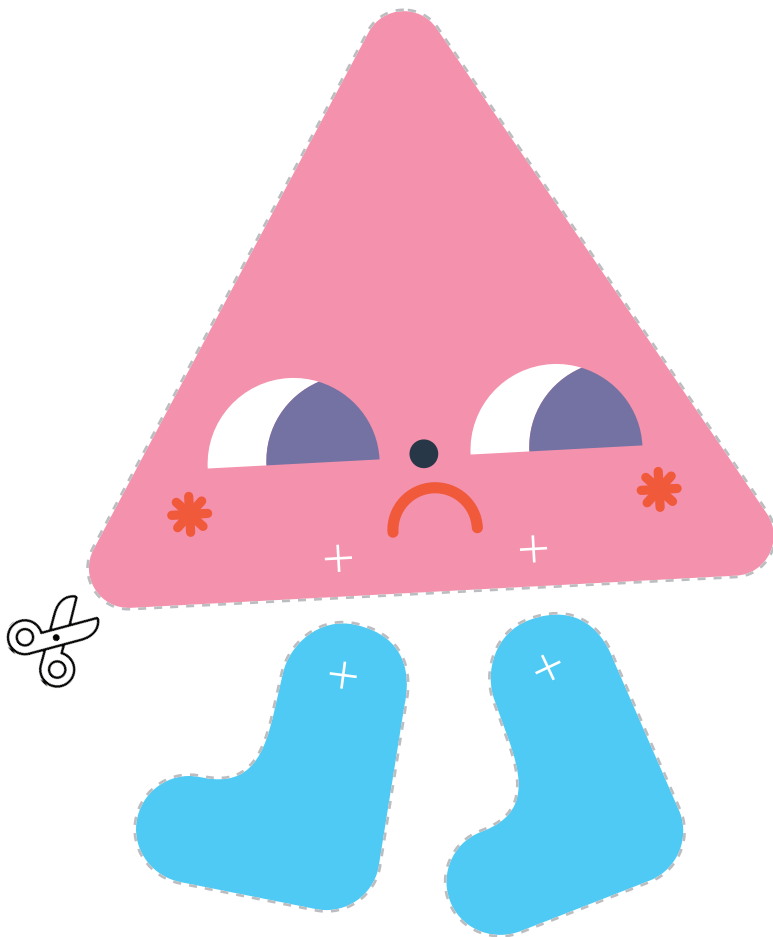
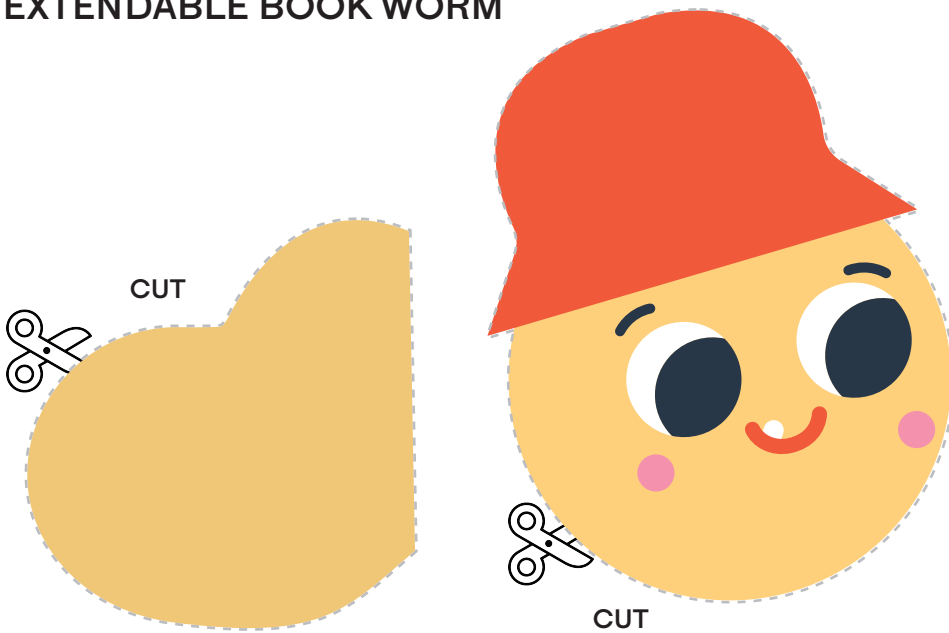


# WALKING GRUMPY TRIANGLE

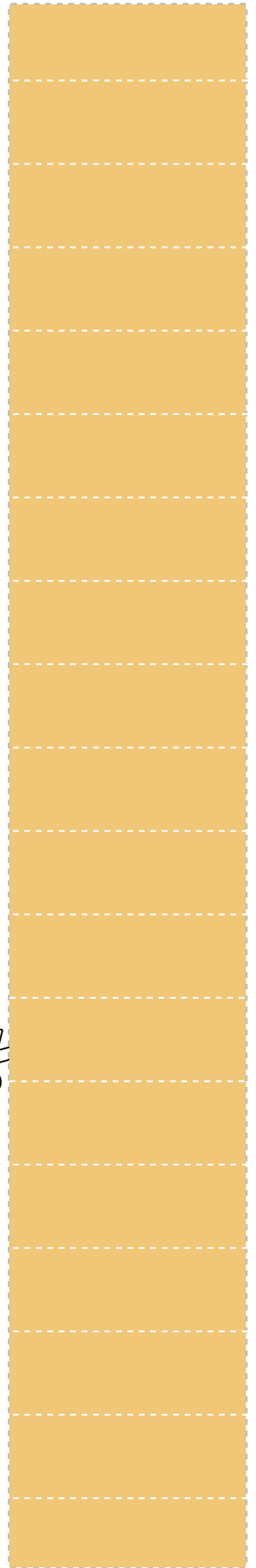
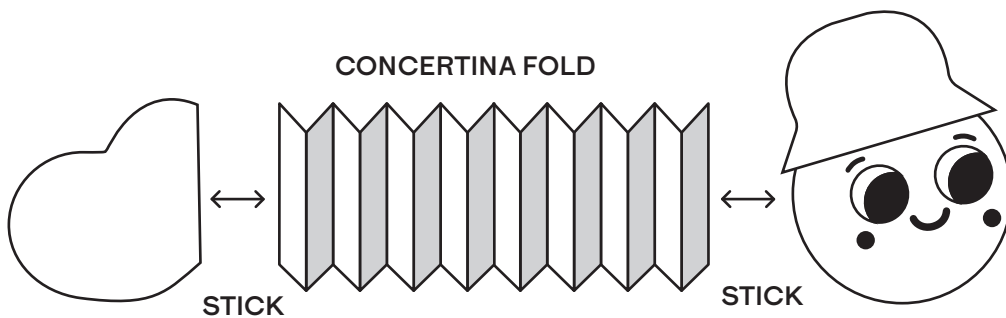


INSERT SPLIT PINS  
TO JOIN LEGS  
TO BODY

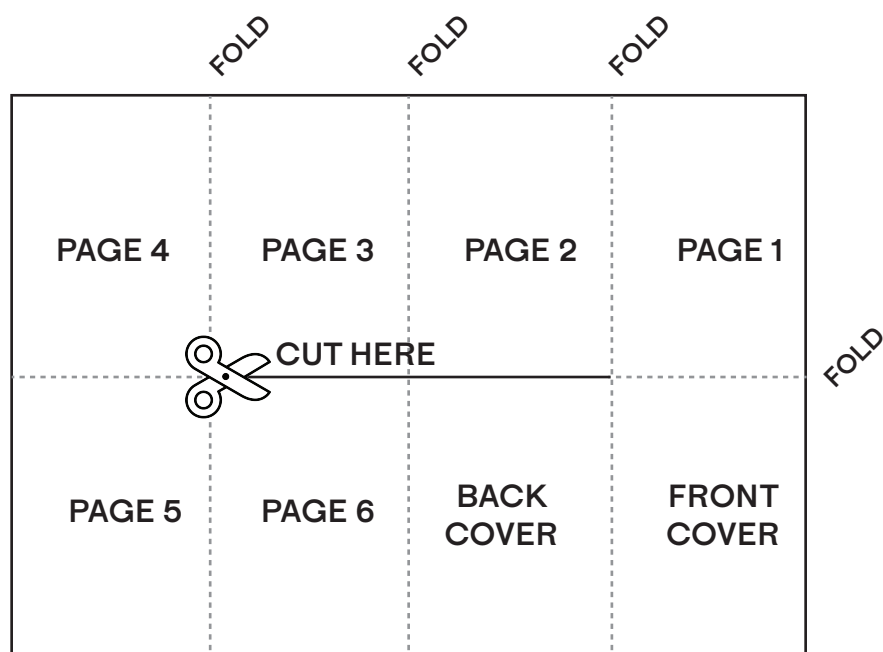
# EXTENDABLE BOOK WORM



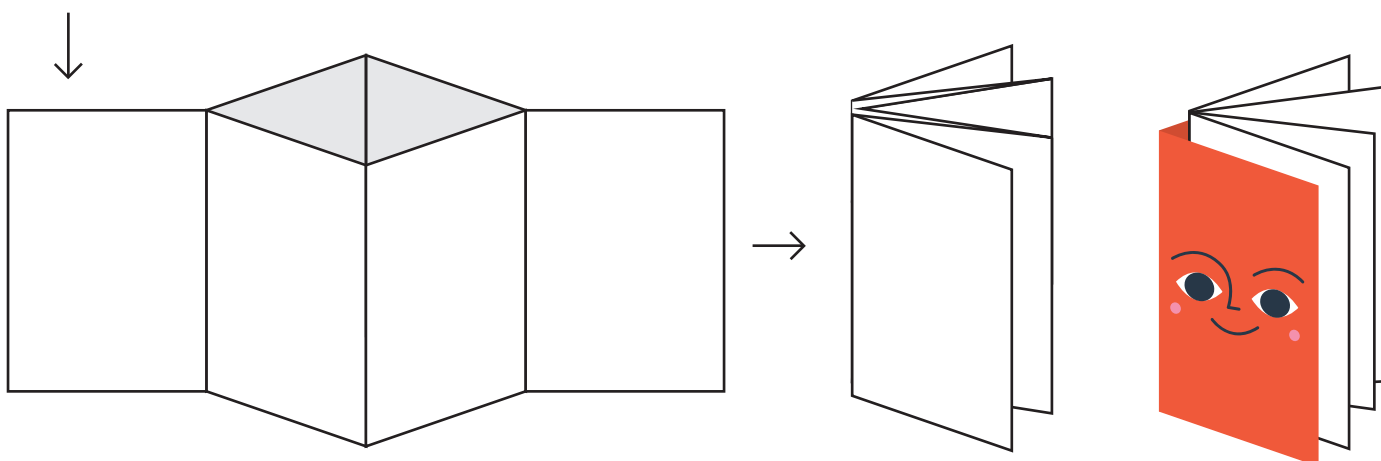
CUT OUT FOLD ON DOTTED LINES



# HAPPY MINI BOOK



USE AN A4 PIECE OF PAPER & MAKE YOUR OWN MINI BOOK.



ONCE THE BOOK IS MADE ATTACH THIS COVER USING GLUE OR TAPE

